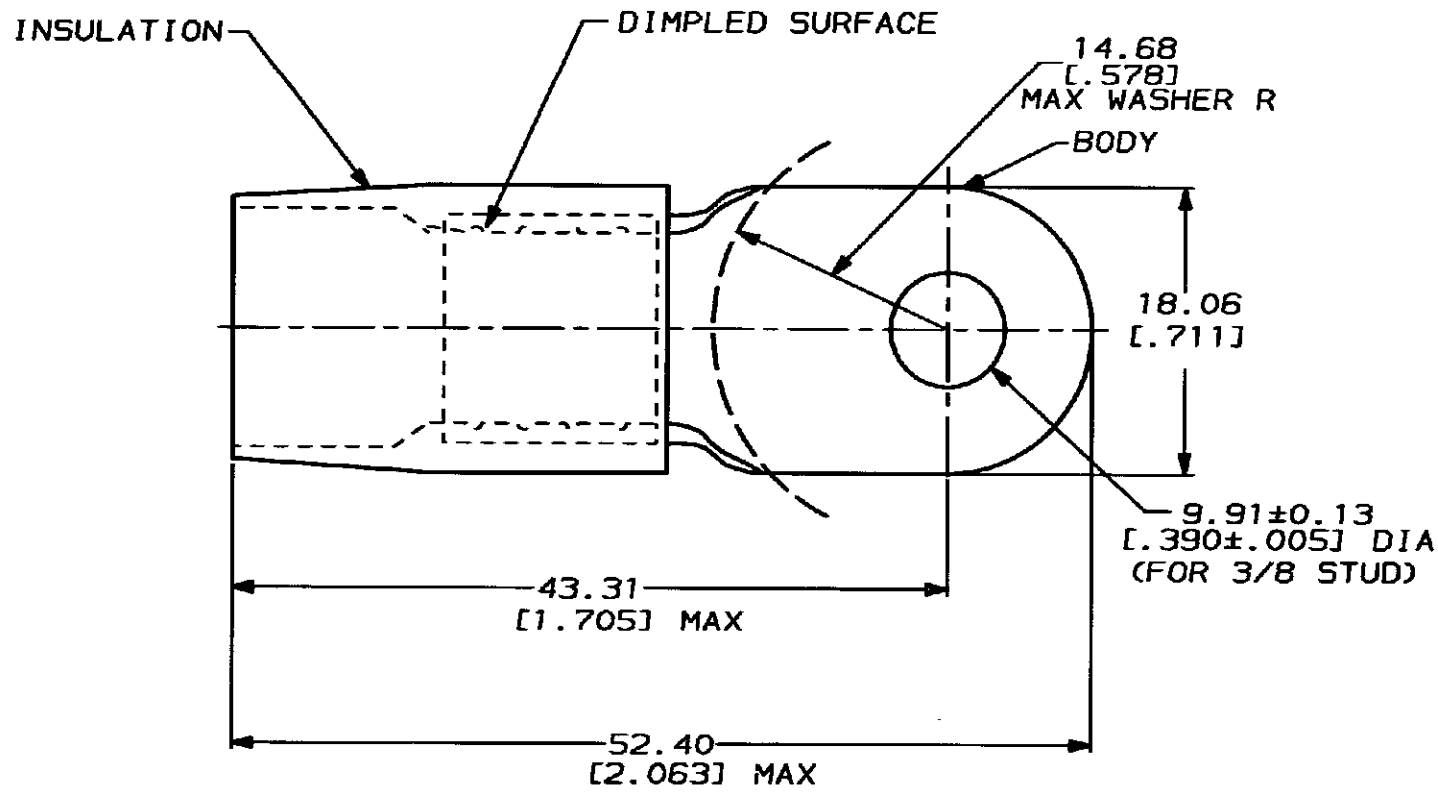


THIS DRAWING IS UNPUBLISHED. RELEASED FOR PUBLICATION, 19
 © COPYRIGHT 19 BY AMP INCORPORATED. ALL INTERNATIONAL RIGHTS RESERVED.

LOC	DIST	P	F	ZONE	LTR	DESCRIPTION	DATE	APPD
G	14				E	EC 0720-0279-93	6-21-93	BB

AMP
 WIRE RANGE
 2 AWG
 STRANDED

METRIC
 DIMENSIONS LISTED IN mm [INCHES]



1. TONGUE MATERIAL THK 1.45±0.08 [0.057±0.003]
 FOR 11.89 [0.468] MAX WIRE INS DIA

**AMP INCORPORATED
 CUSTOMER SERVICE SYSTEMS**

FOR ADDITIONAL PRODUCT INFORMATION OR COPIES OF DRAWINGS AND TECHNICAL DOCUMENTS	PRODUCT INFORMATION CENTER 1-800-522-6752
FOR APPLICATION TOOLING INFORMATION	TOOLING ASSISTANCE CENTER 1-800-722-1111
FOR ORDER ENTRY	1-800-526-5142

MAX RECOMMENDED OPERATING TEMPERATURE:
 105°C

VOLTAGE RATING:
 -

CIRCULAR MIL AREA:
 26.7-42.4mm² [52,600-83,700]
 STRANDED

THIS DRAWING IS A CONTROLLED DOCUMENT FOR AMP INCORPORATED. IT IS SUBJECT TO CHANGE AND THE CONTROLLING ENGINEERING ORGANIZATION SHOULD BE CONTACTED FOR THE LATEST REVISION.

MS25036-127 CLASS 2	-	LOOSE PC	324054
MILITARY P/N & CLASS	QTY	PACKAGE TYPE	PART NO
DO NOT SCALE PRINT. UNLESS SPECIFIED	DR 6-21-93 S.S. BOULDEN	AMP AMP Incorporated Harrisburg, PA 17105-3608	
TOLERANCES UNLESS OTHERWISE SPECIFIED: 2 PLC DEC ± 0.20(0.008) 3 PLC DEC ± - ANGLES ± -	CHK 6-21-93 R. HERSEY	NAME	
MATERIAL COPPER PER ASTM B-152 NYLON (MIL-N-20693) TYPE I COLOR: RED	APPD 6-21-93 B. BARE	TERMINAL, RING TONGUE, TERMINYL WIRE SIZE: 2 AWG	
FINISH TIN PLATE PER MIL-T-10727	APPD 6-21-93 H. ELLIS	PRODUCT SPEC	
	APPLICATION SPEC	SIZE	CAGE CODE
	WEIGHT	B	00779
		SCALE	DRAWING NO
		NTS	C-324054
			SHEET
			1 OF 1